

VP290 Spec Sheet

Physical Specs

Size:	2.48" L x 2.32" W x .94" H
Weight:	1.8 oz.

GPS Specs

Receiver:	12 channel, continuous tracking receiver
-----------	--

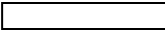



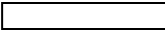



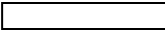



Environmental Specs

Temp	
Operating:	-30 to +85C
Storage:	-40 to +85C
Shock & Vibration:	SAE J1211

GSM/Wireless Specs

Wireless:	GSM Dual band (850/1900 MHz)
Regulatory Approvals:	FCC –Parts 15, 22, 24; PTCRB; RoHS

General Specs

Input Voltage:	+6 to +40 VDC												
Power consumption:	<80 mA @ 12v Average												
Memory/On board storage:	2,000 positions												
Inputs:	2 – Biased Low (Ignition & Input 1) 0 to 40 VDC												
Antenna Connections													
Cellular:	FAKRA connector												
GPS:	FAKRA connector												
3 LEDs													
Cellular – solid, cell good; blinking, no cellular Power – solid, good; off, no power GPS – solid, good; off, no GPS													
<table border="1" style="width: 100%; text-align: center;"> <tr> <td style="width: 30%;">SIM</td> <td style="width: 10%;">Green</td> <td style="width: 10%;">Red</td> <td style="width: 10%;">Blue</td> </tr> <tr> <td></td> <td></td> <td></td> <td></td> </tr> <tr> <td></td> <td>Cellular</td> <td>Power</td> <td>GPS</td> </tr> </table>		SIM	Green	Red	Blue						Cellular	Power	GPS
SIM	Green	Red	Blue										
													
	Cellular	Power	GPS										

VehicleTrackerPlus.com

877-221-5545

vtp@bwstewart.com

